

Fisher-Price®

T0250



www.fisher-price.com

Consumer Information



WARNING

Prevent serious injury or death from falls or sliding out:

- Only use for a child capable of sitting upright unassisted.
- NEVER leave child unattended.

High Chair Use:

- ALWAYS secure child with restraint belts adjusted to fit your child snugly. The tray is not designed to hold child in the product.

When attached to adult chair:

- Use restraint belts until child is able to get in and out of the product without help (about 2¹/₂ years old).
- NEVER use in motor vehicles.
- ALWAYS secure the product on a chair using bottom and back attachment straps. NEVER use on a stool or bench that does not have a seat back.

To prevent falls:

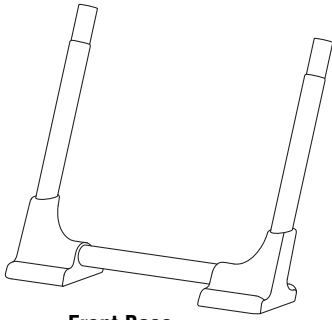
- NEVER release the seat with child in product.
- NEVER carry child in the seat.

IMPORTANT! PLEASE KEEP THESE INSTRUCTIONS FOR FUTURE REFERENCE.

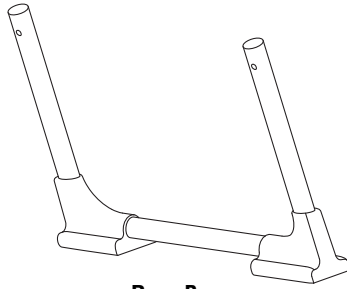
- Please read these instructions before assembly and use of this product.
- Adult assembly is required.
- Tool needed for assembly: Phillips screwdriver (not included).
- When using this product on an adult chair:
 - Make sure the chair seat is level and larger than the seat base.
 - DO NOT use on a folding chair.
 - Check to be sure the floor surface beneath the chair is level.
- Product features and decorations may vary from photographs.

Parts

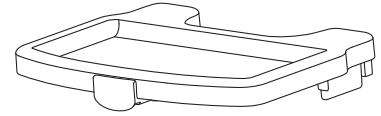
IMPORTANT! Please remove all parts from the package and identify them before assembly.



Front Base

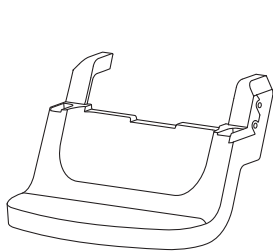


Rear Base

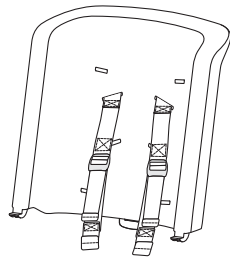


Tray

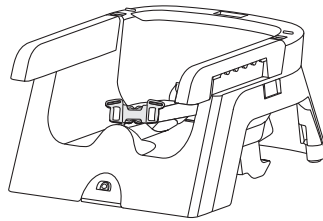
Hint: Do not remove the plastic inserts inside the tubes of the front base.



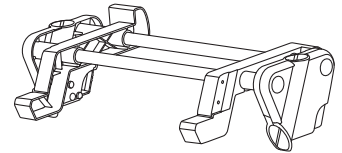
Footrest



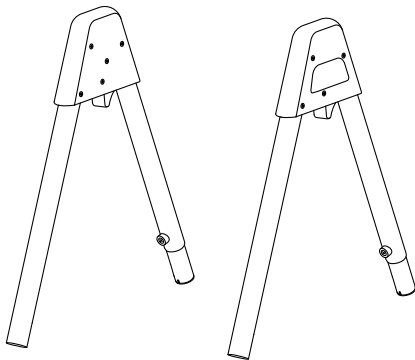
Seat Back with Restraint



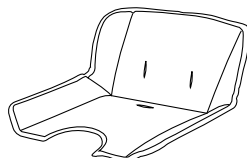
Seat with Restraint



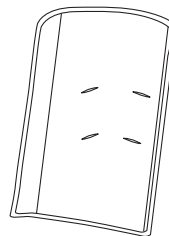
Seat Support



2 Frames



Seat Pad



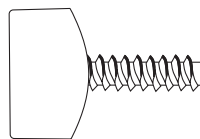
Seat Back Pad



2 Brackets (Left and Right)

Hint: Do not remove the plastic insert inside the tube in each frame.

FASTENERS SHOWN ACTUAL SIZE



#8 x 3/4" Screw with Plastic Retainer – 4



#8 x 3/4" Blunt Screw – 4



#8 x 3/4" Pointed Screw – 2

Note: Tighten and loosen all screws with a Phillips screwdriver. Do not over-tighten the screws.

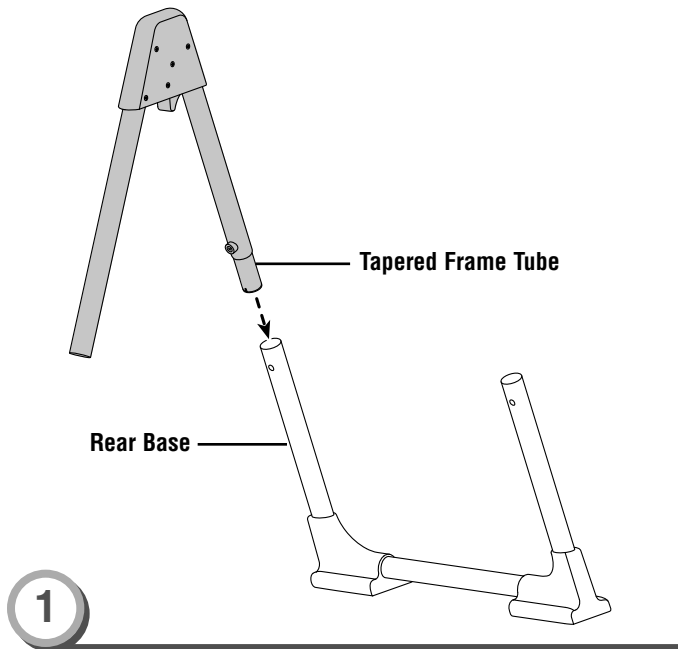
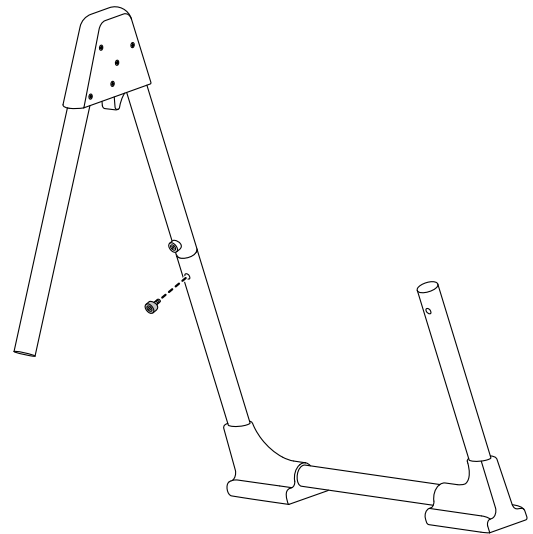
Assembly



CAUTION

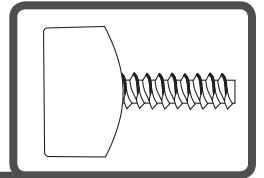
This package contains small parts in its unassembled state. Adult assembly is required.

IMPORTANT! Before assembly and each use, inspect this product for damaged hardware, loose joints, missing parts or sharp edges. DO NOT use if any parts are missing or broken. Contact Fisher-Price® for replacement parts and instructions if needed. Never substitute parts.

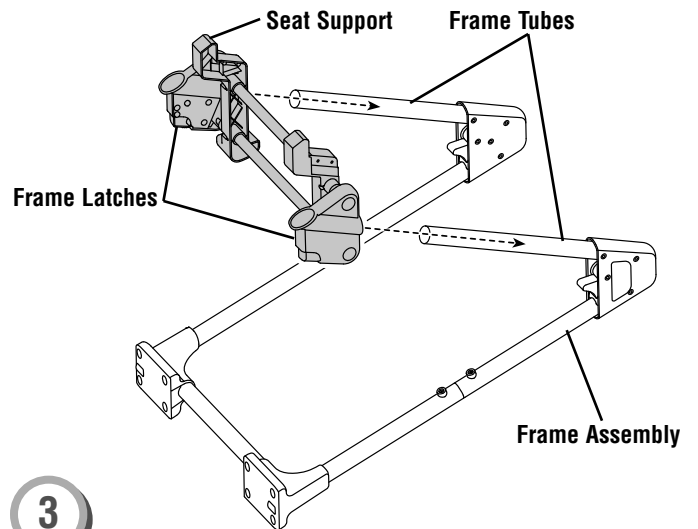


With the Fisher-Price® logo facing out, fit the tapered frame tube into the rear base.

2



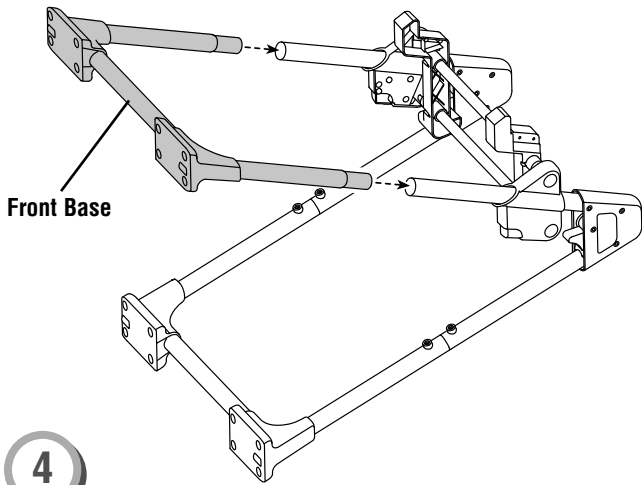
- Fit a #8 x 3/4" screw with retainer into the rear base and tighten.
- Repeat steps 1 and 2 to assemble the other frame to the rear base.



- Lay the frame assembly down with long frame tubes up.
- Position the seat support with the frame latches down.
- Slide the seat support onto the frame tubes.

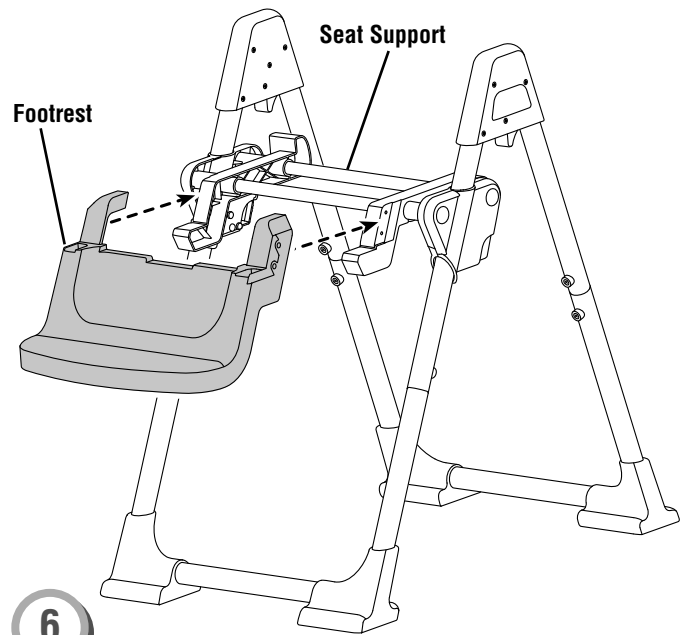
Hint: Push the seat support all the way to the top of the assembly. You will hear several "clicks".

Assembly



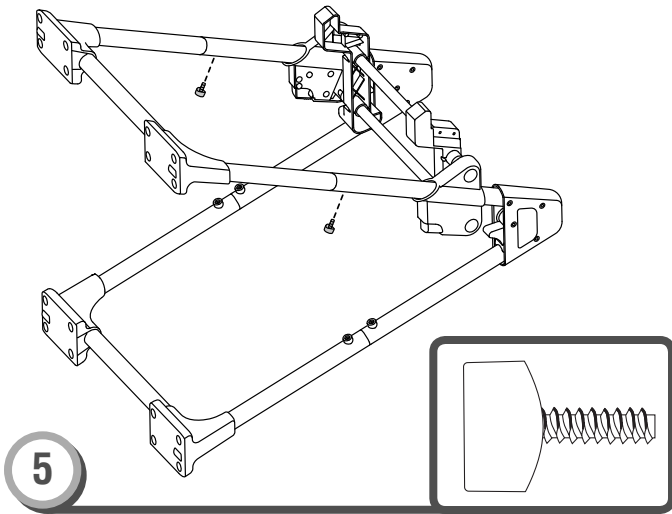
4

- Fit the front base into the frame tubes.



6

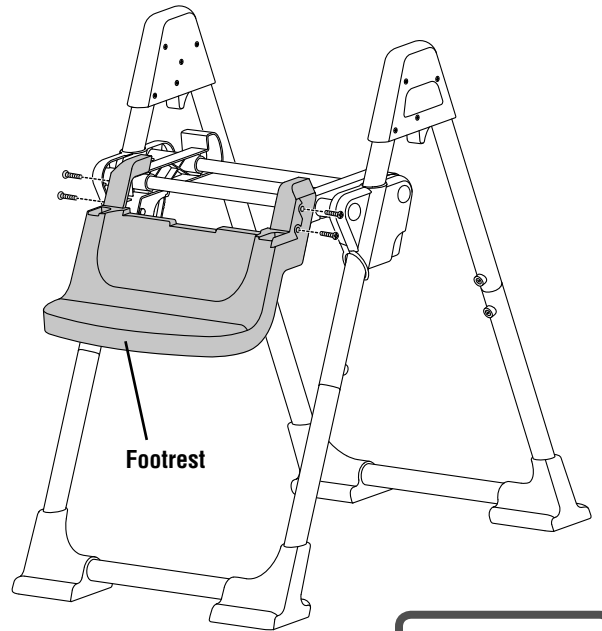
- Lift the frame assembly upright.
- Fit the footrest onto the seat support, as shown.



5

- Insert two #8 x $\frac{3}{4}$ " screws with retainers into the holes in each frame tube and tighten.

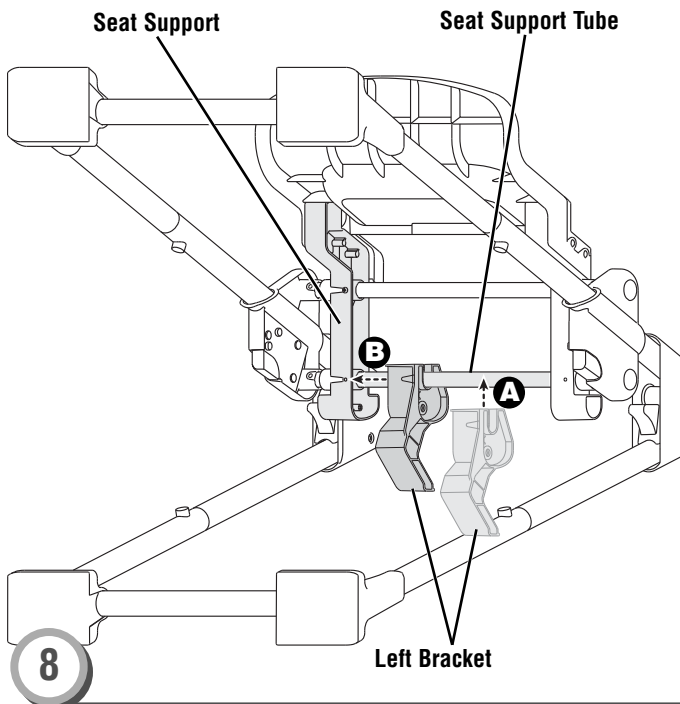
Hint: If you cannot insert the screws into the frame tubes, you have assembled the front base backwards. Remove it, turn it around and re-assemble it to the frame tubes.



7

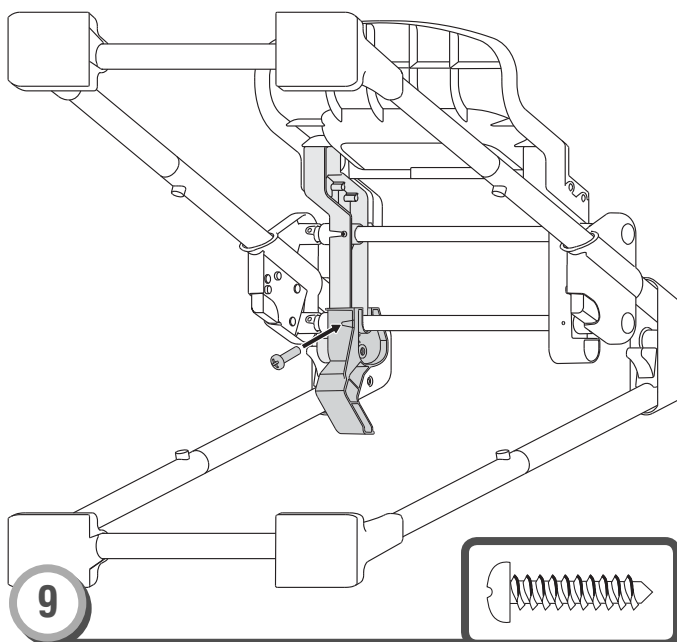
- Insert two #8 x $\frac{3}{4}$ " blunt end screws into the holes on each side of the footrest and tighten.

Assembly

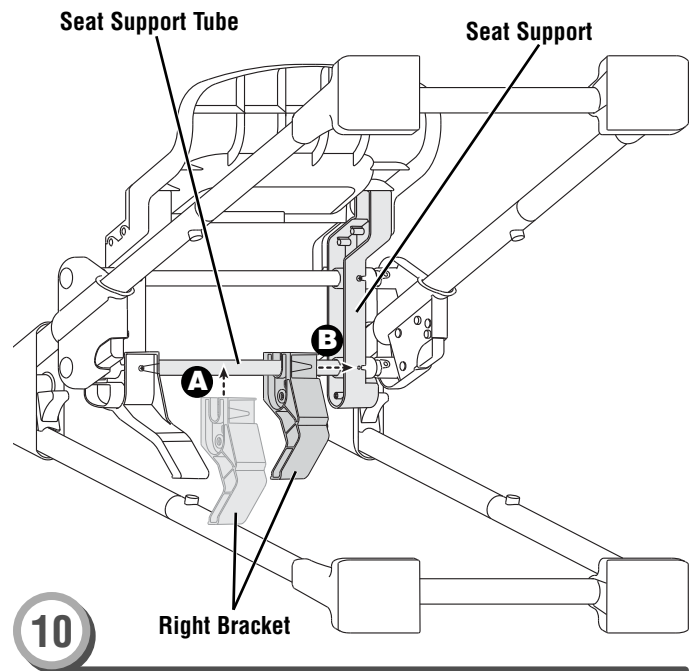


- Turn the frame over with the footrest facing away from you.
- First fit the left bracket (labeled 1) onto the seat support tube closest to you **A**.
- Then, slide the left bracket completely onto the seat support **B**.

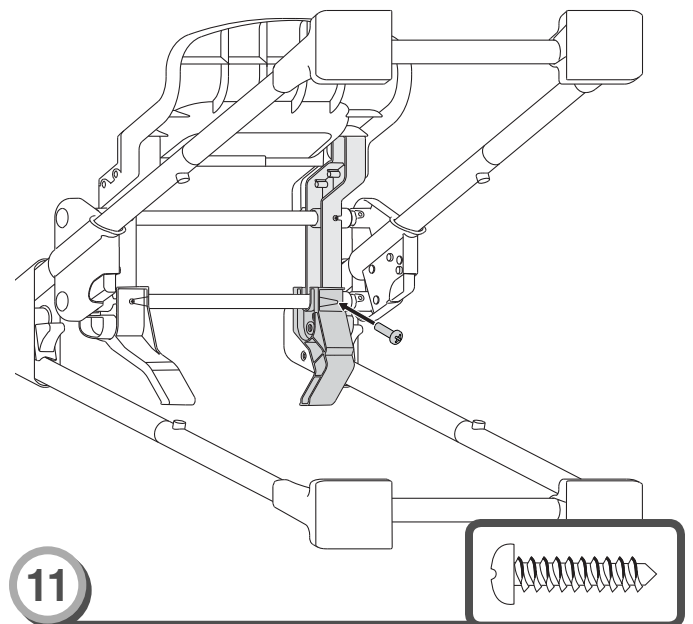
Hint: The brackets are designed to fit each side of the seat support one way. If the bracket does not seem to fit, try the other one.



- Push to align the slot in the left bracket with the hole in the seat support.
- Insert a #8 x 3/4" pointed end screw through the left bracket and into the seat support and tighten.

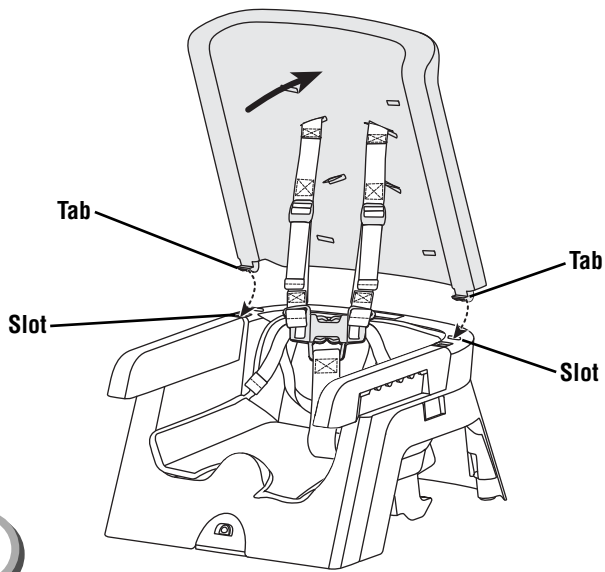


- First fit the right bracket (labeled 2) onto the seat support tube closest to you **A**.
- Then, slide the right bracket completely onto the seat support **B**.



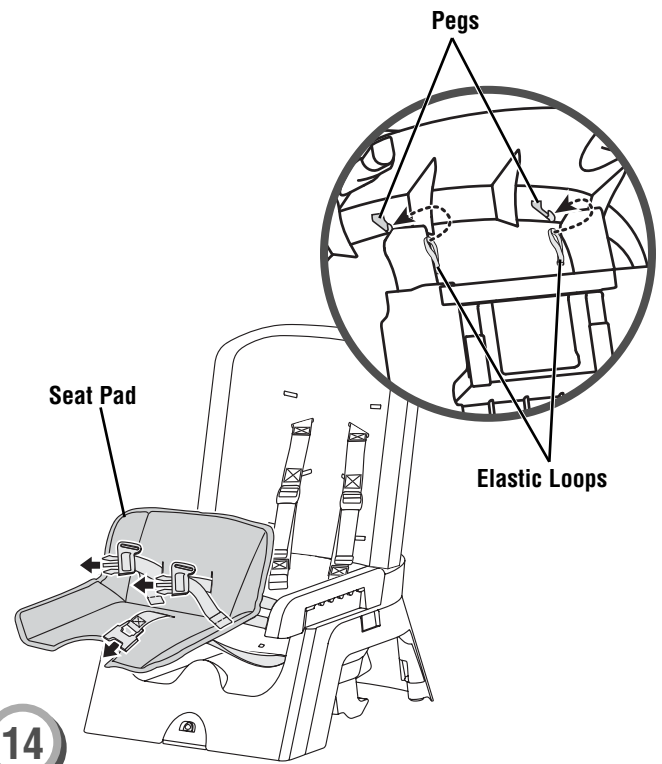
- Push to align the slot in the right bracket with the hole in the seat support.
- Insert a #8 x 3/4" pointed end screw through the right bracket and into the seat support and tighten.
- Turn the frame upright.

Assembly



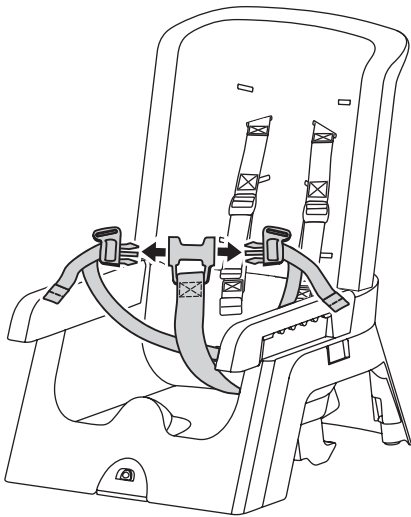
12

- At an angle, fit the tabs on the seat back into the slots in the seat.
- Push the seat back to “snap” in place.
- Pull on the seat back to be sure it is secure to the seat bottom.



14

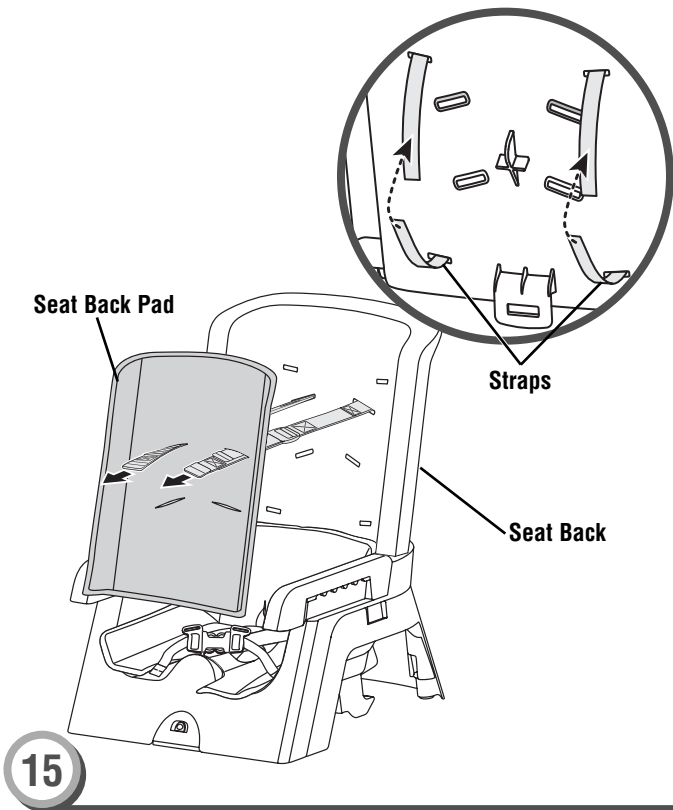
- Pull the ends of the waist belts and crotch belt through the slots in the seat pad.
- Fit the elastic loops on the seat pad down through the slots in the seat.
- Turn the seat upside down.
- Pull the elastic loops through the slots in the seat and fit the elastic loops to the pegs.



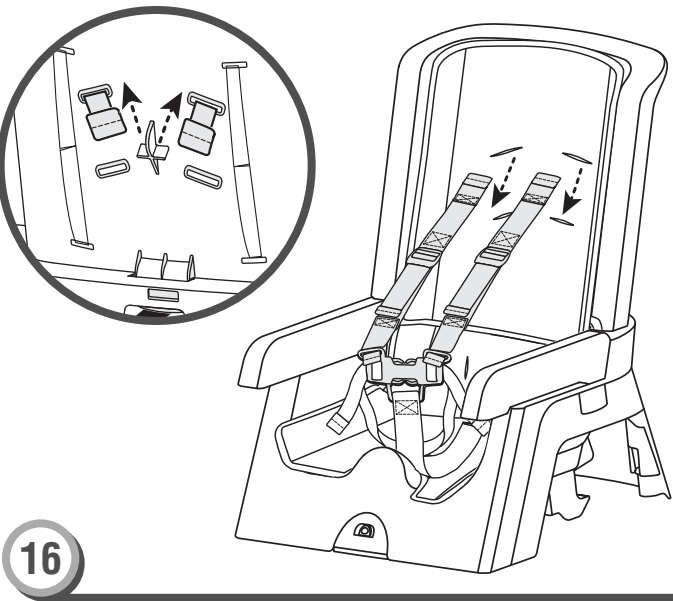
13

- Unbuckle the lower restraint.

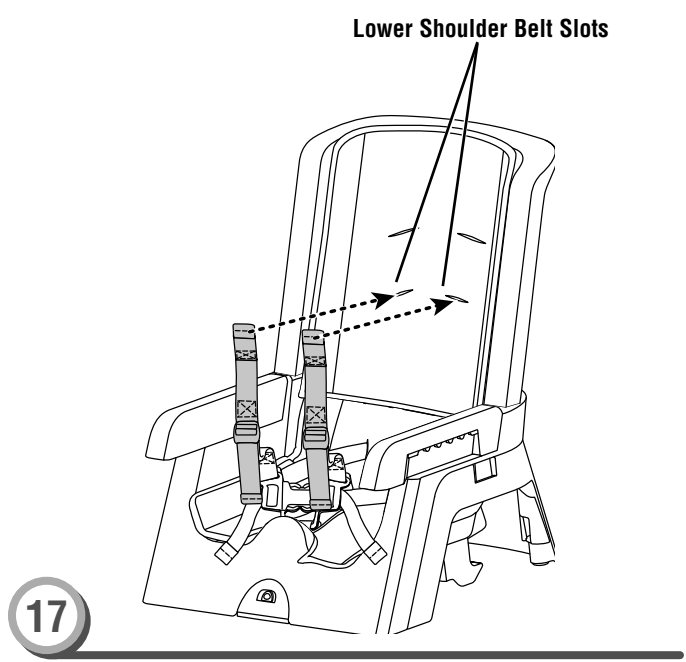
Assembly



- Pull the ends of the shoulder belts through the slots in the seat pad.
- Fit the straps on the back of the seat back pad into the slots in the seat back pad.
- Press to fasten the straps to secure the seat back pad.

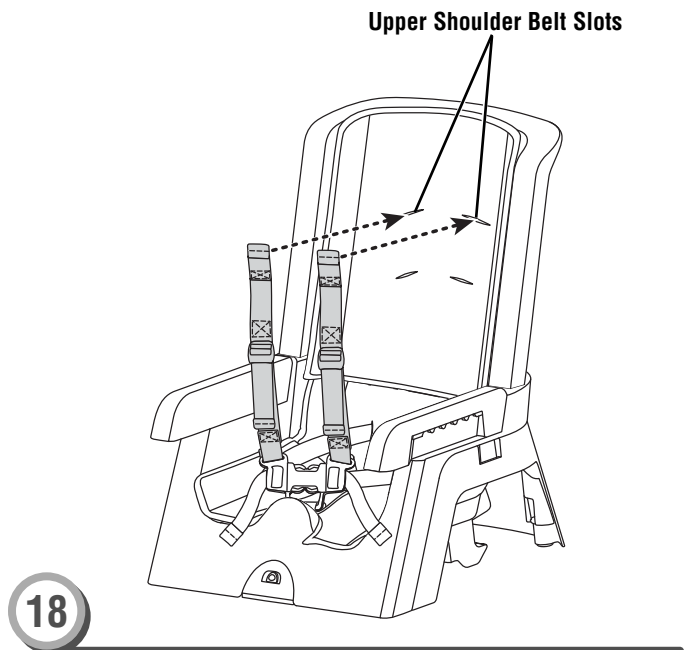


- To adjust the restraint height for baby, push to remove the shoulder belts from the seat back.



Smaller Baby

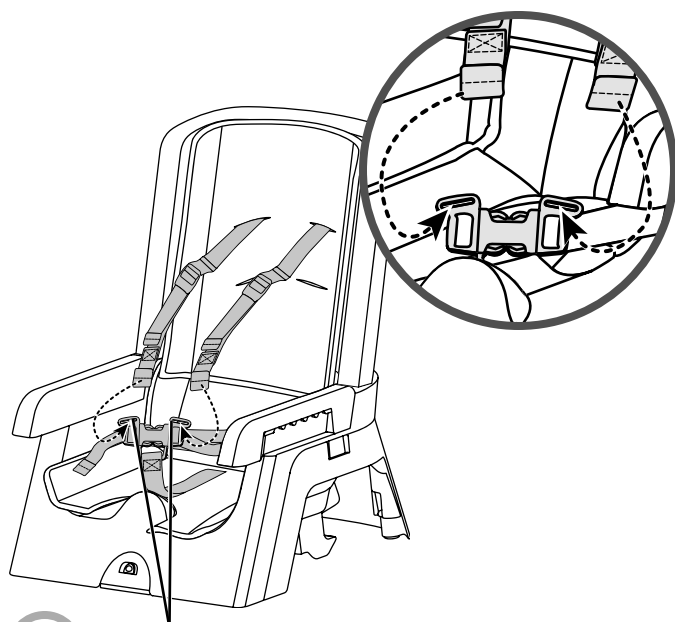
- Insert the ends of the shoulder belts through the lower slots in the pad and seat back.



Larger Baby

- Insert the ends of the shoulder belts through the upper slots in the pad and seat back.

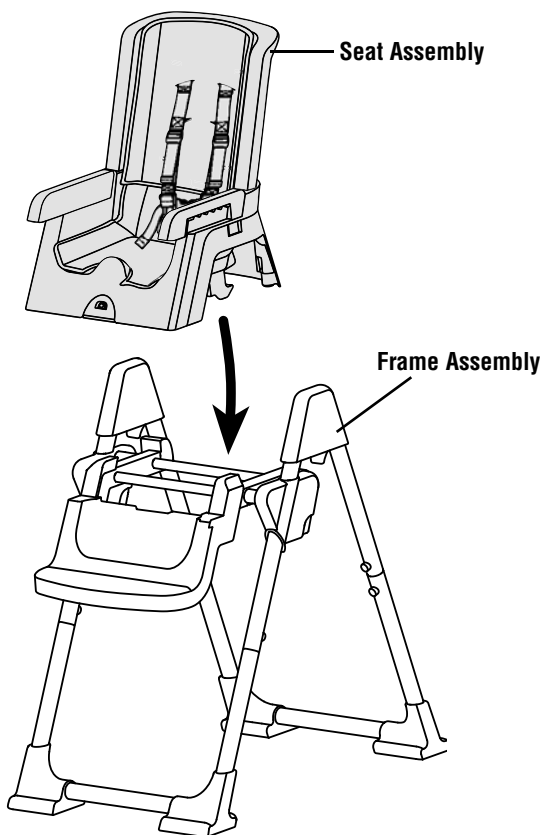
Assembly



19

Slots

- Fit the "T" end of each shoulder belt through the slots in the lower restraint.



Seat Assembly

Frame Assembly

20

- Place the seat assembly on the frame assembly and push to lock in place. You should hear a **"click"**.

Note: The seat assembly will only fit on the frame assembly if the chair attachment strap door is closed. If the seat assembly does not lock onto the frame assembly, check to make sure the sliding door under the seat is **completely closed**.

Securing Your Child



WARNING

Prevent serious injury or death from falls or sliding out:

- Only use for a child capable of sitting upright unassisted.
- **NEVER** leave child unattended.

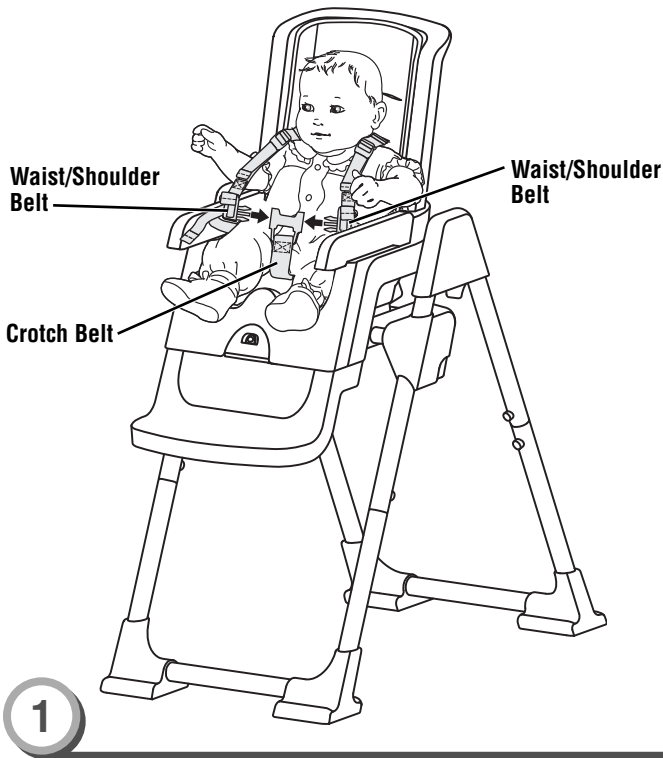
High Chair Use:

- **ALWAYS** secure child with restraint belts adjusted to fit your child snugly. The tray is not designed to hold child in the product.

When attached to adult chair:

- Use restraint belts until child is able to get in and out of the product without help (about 2½ years old).

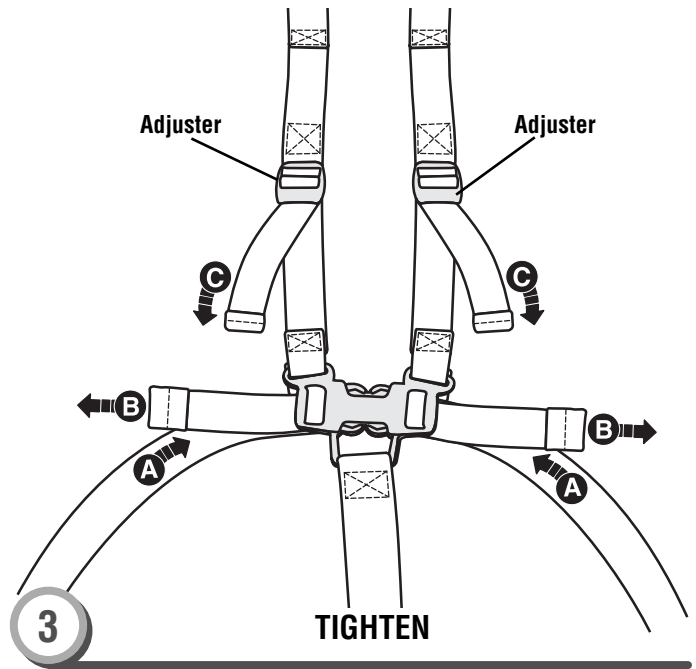
Securing Your Child



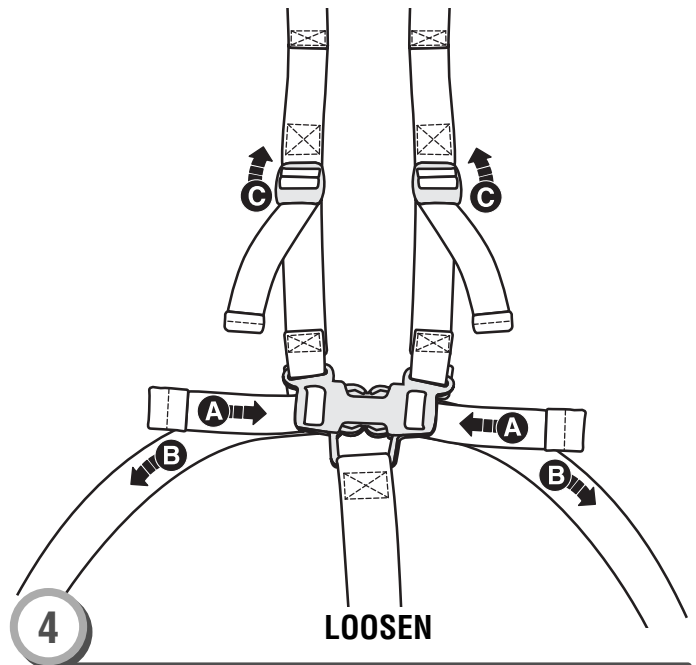
- Place your child in the seat. Position the crotch belt between your child's legs.
- Fasten both waist/shoulder belts to each side of the crotch belt. Make sure you hear a "click" on both sides.
- Check to be sure the restraint system is securely attached by pulling it away from your child. The restraint system should remain attached.



- Tighten each waist belt/shoulder belt so that the restraint system is snug against your child. Please refer to the next section for instructions to tighten the waist belts/shoulder belts.



- **To tighten the waist belts:** Feed the anchored end of the waist belt up through the buckle to form a loop **A**. Pull the free end of the waist belt **B**.
- **To tighten the shoulder belts:** Hold the adjuster and pull the shoulder belt down **C**.



- **To loosen the waist belts:** Feed the free end of the waist belt up through the buckle to form a loop **A**. Enlarge the loop by pulling on the end of the loop toward the buckle.
 - Pull the anchored end of the waist belt to shorten the free end of the waist belt **B**.
 - **To loosen the shoulder belts:** Lift the adjuster **C**.
- Note:** After adjusting the restraint system to fit your child, make sure you pull on it to be sure it is securely fastened.

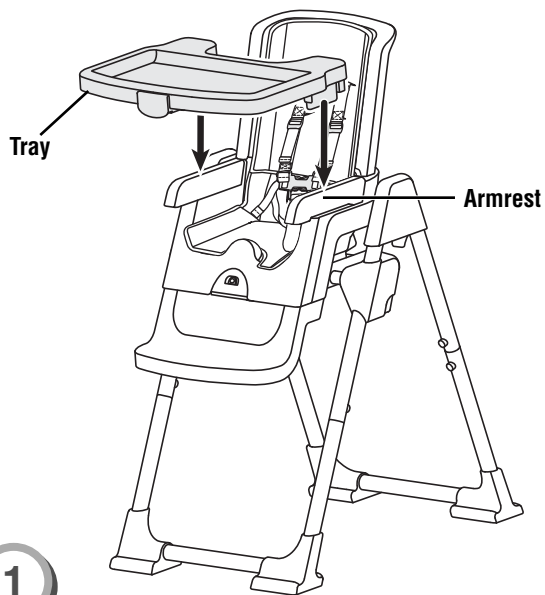
Using the Tray



WARNING

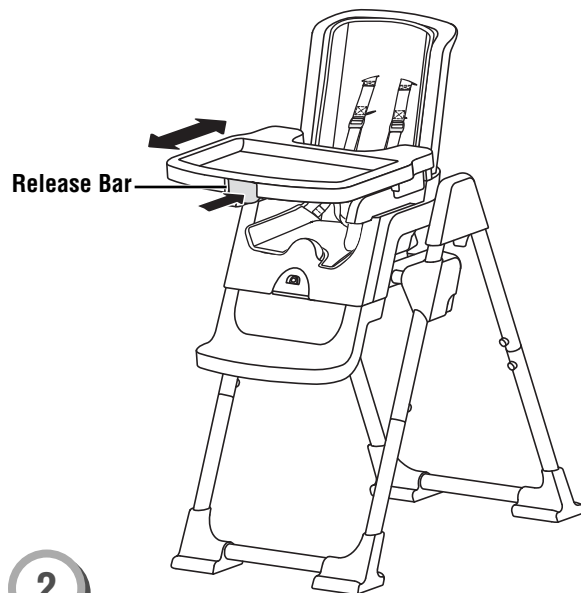
Prevent serious injury or death from falls or sliding out:

- ALWAYS secure child with restraint belts adjusted to fit your child snugly. The tray is not designed to hold child in the product.

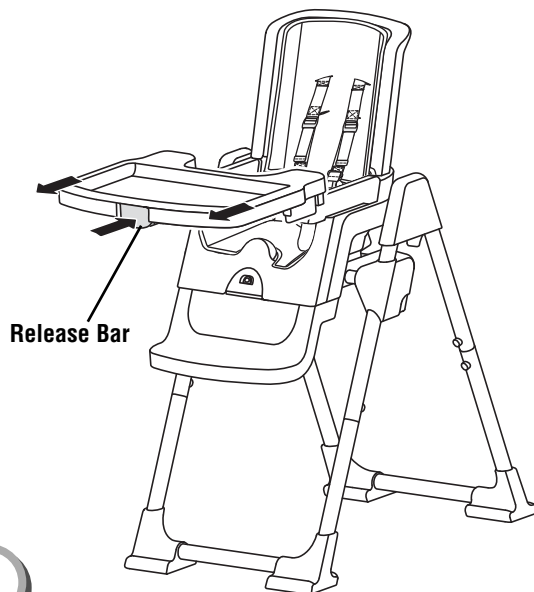


- Fit the tray onto the seat armrests. Push down until the tray "snaps" into place.

Hint: Before use, thoroughly wash all parts (the tray) that may contact food. The tray is not dishwasher or microwave safe.

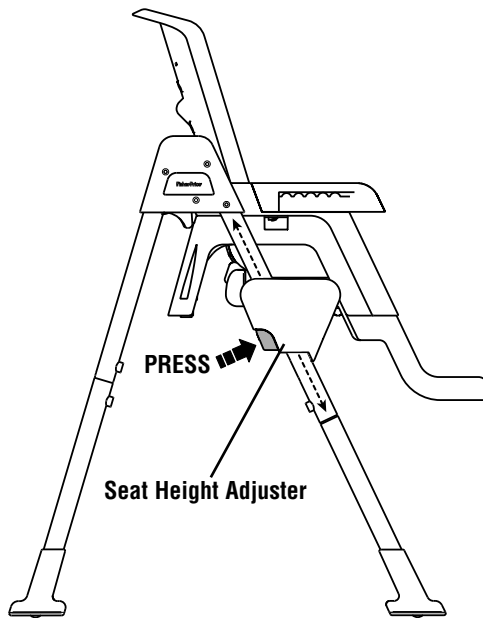


- While pushing the release bar on the front of the tray, adjust the tray forward or backward.



- While pushing the release bar on the front of the tray, pull the tray away from the armrests.

Adjusting the Seat



To adjust the seat height:

- Press the levers on both seat height adjusters and lift or lower the seat to any of five different heights.
- Make sure both sides of the seat are adjusted to the same height.
- Push the seat to be sure the seat is locked in place.

Attaching To An Adult Chair



WARNING

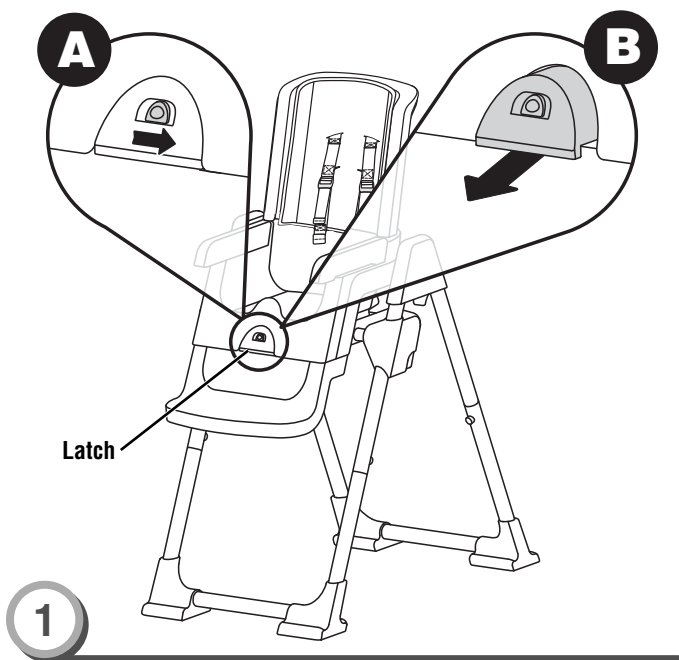
Prevent serious injury or death from falls or sliding out:

- Only use for a child capable of sitting upright unassisted.
- NEVER leave child unattended.
- Use restraint belts until child is able to get in and out of the product without help (about 2¹/₂ years old).
- NEVER use in motor vehicles.
- ALWAYS secure the product on a chair using bottom and back attachment straps. NEVER use on a stool or bench that does not have a seat back.

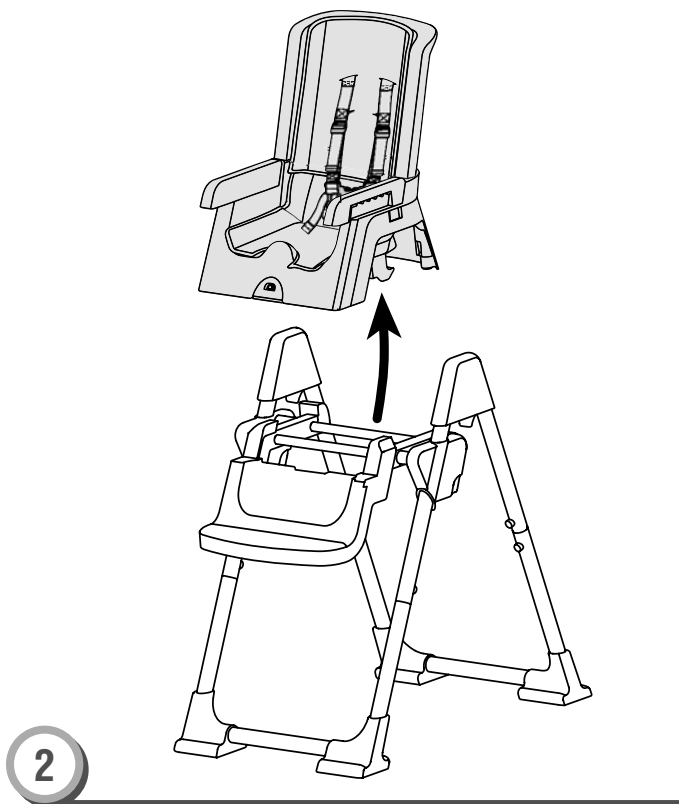
To prevent falls:

- NEVER release the seat with child in product.
- NEVER carry child in the seat.

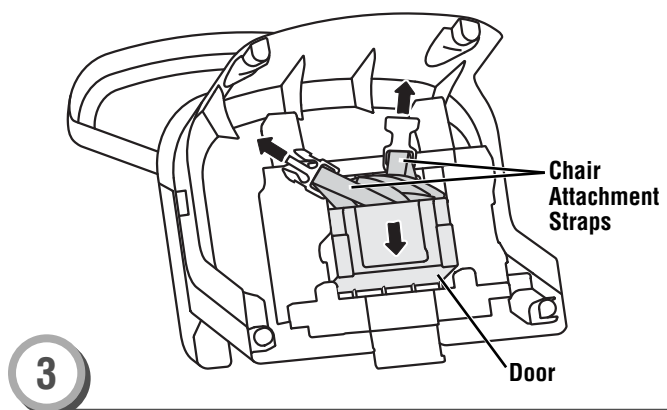
Attaching To An Adult Chair



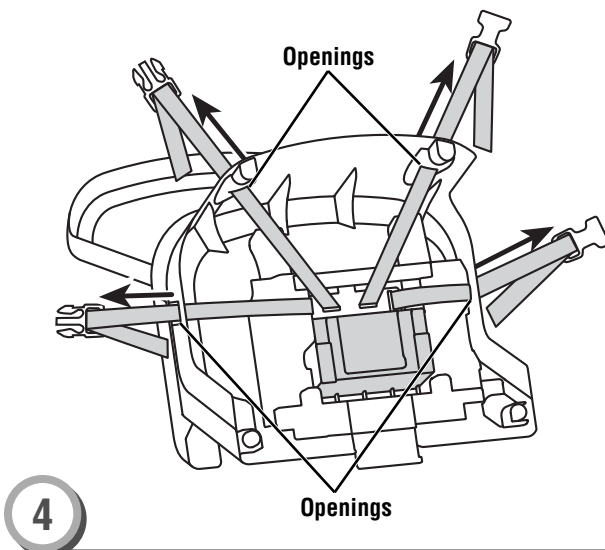
- While sliding the switch **A** pull the latch towards you **B**.



- Lift the seat off the base.



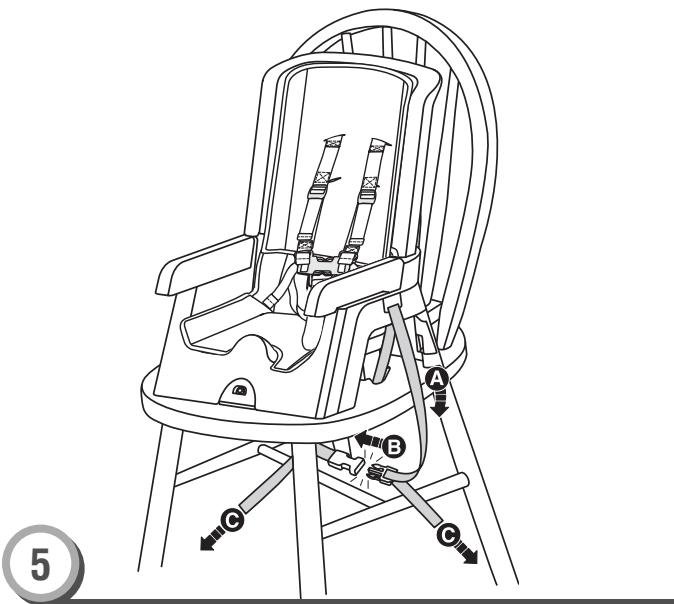
- Turn the seat over.
- Slide the door open and pull out the chair attachment straps.



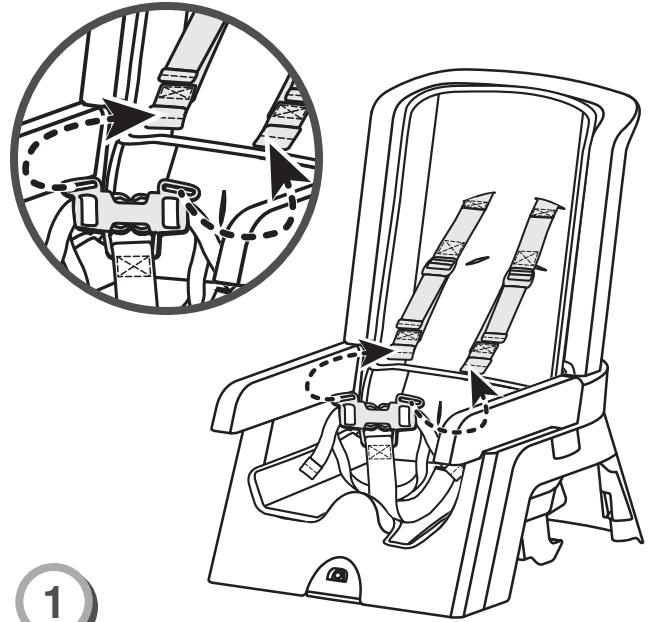
- Match the buckle on each strap to the matching buckle icon near each slot in the seat. Feed each strap through the matching slot on the seat.

Attaching To An Adult Chair

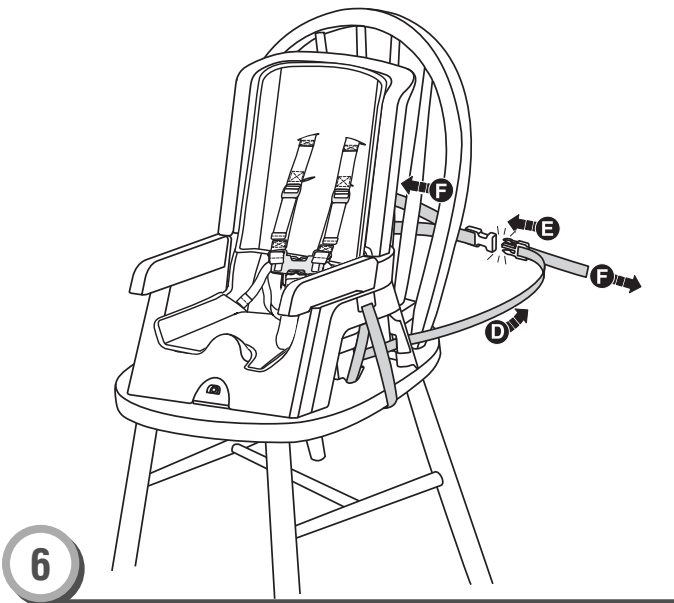
Remove the Seat Back and Shoulder Belts



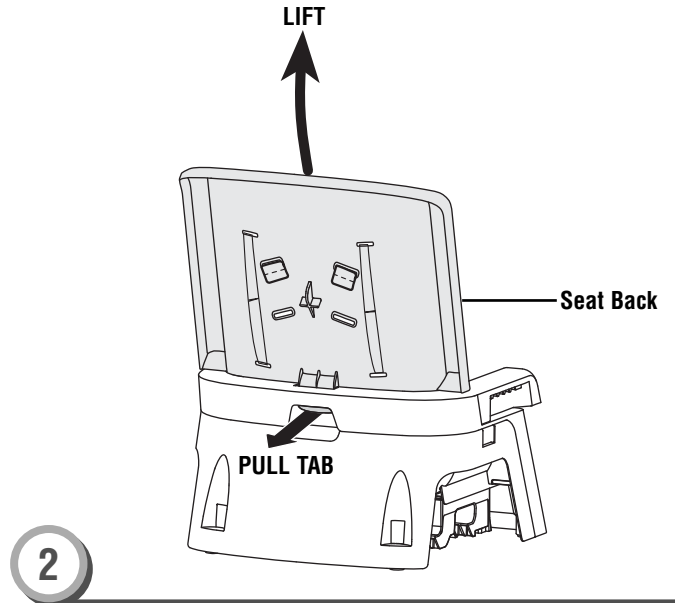
- 5
- Turn the seat over and place the seat on a chair.
 - Wrap the bottom straps around the bottom of the chair **A**.
 - Buckle the straps **B**. Make sure you hear a "click". Pull the free end of each strap to tighten on the chair **C**.



- 1
- Pull the shoulder belts out of the waist restraint buckle slots.

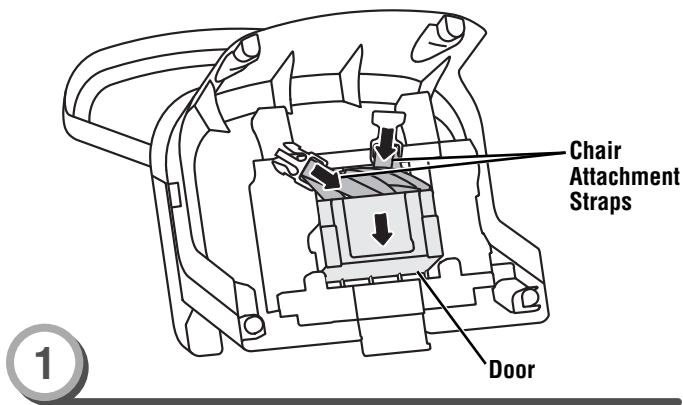


- 6
- Wrap the back straps around the back of the chair **D**.
 - Buckle the straps **E**. Make sure you hear a "click". Pull the free end of each strap to tighten on the chair **F**.
 - Pull up on the seat to be sure it is secure to the chair.

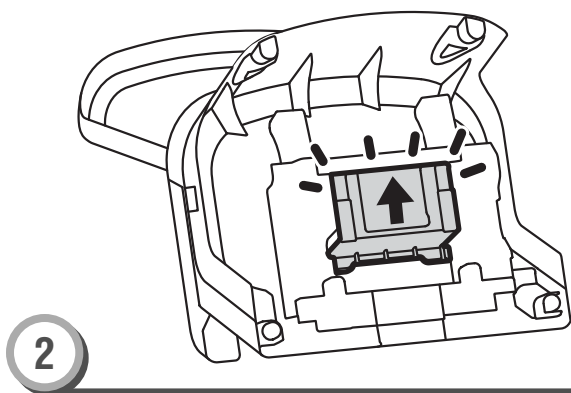


- 2
- Pull the tab on the seat back. Lift to remove the seat back from the seat.
 - Store the seat back, seat back pad and shoulder belts in a safe place for future use.

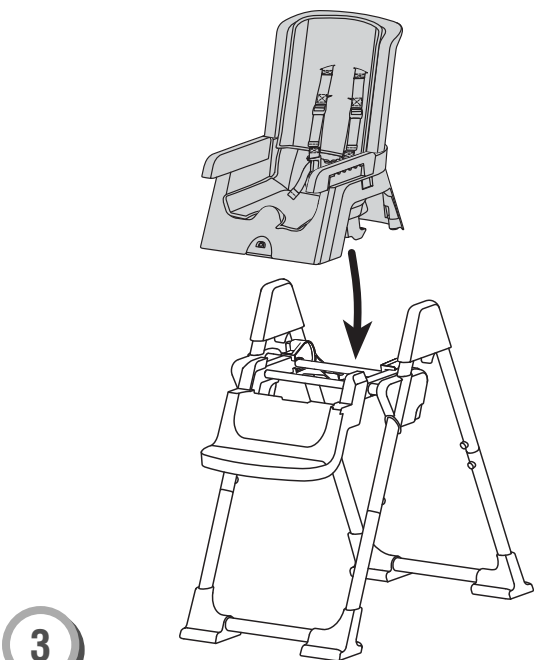
Attaching the Seat To the Frame



- Turn the seat over and open the door. Carefully fit the chair attachment straps into the compartment.

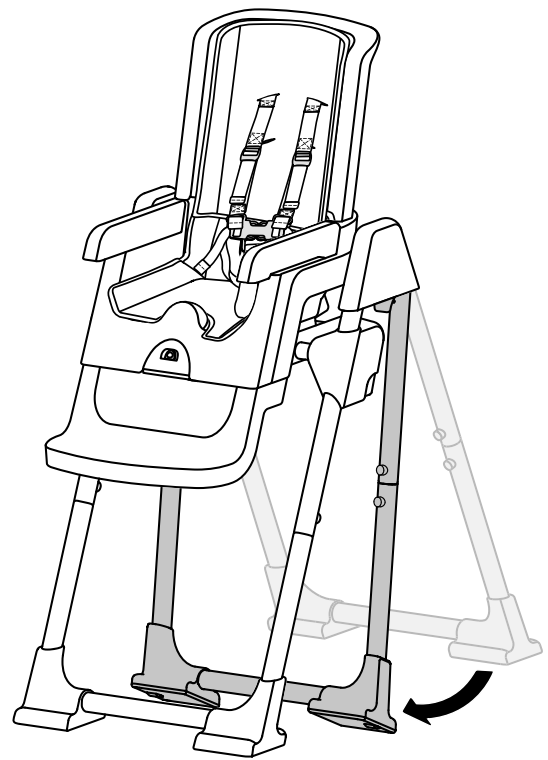


IMPORTANT! Close the door completely. If you do not close the door, the seat will not fit on the high chair base.



- Fit the seat onto the high chair frame. Push to "**snap**" into place. Pull up on the seat to be sure it is secure to the high chair frame.

Storage



- Pull the frame release latches forward and push the rear legs toward the front legs.

Care

- The tray, pads, seat, seat attachment straps and restraint belts may be wiped clean using a mild cleaning solution and damp cloth. Do not use bleach. Do not use harsh or abrasive cleansers. Rinse clean with water to remove residue.

To remove the pad:

- Push to remove the shoulder belts, waist belts and crotch belt from the seat and pads.
- Unfasten the straps and loops on the seat back and seat bottom.
- Remove the pads from the seat.
- To replace the pad and restraint straps, refer to the assembly instructions in this manual.

IMPORTANT! Be sure to replace the restraint system. Never use this product without the restraint system when used as a high chair or when attached to an adult chair (until your child can get in and out of the product without help).



? **CONSUMER ASSISTANCE**
Call toll free: 1-800-432-5437 (US & Canada only)
M-F 9AM to 7PM / SAT 11AM to 5PM (EST)

service.fisher-price.com

Write to us at: Fisher-Price® Consumer Relations,
636 Girard Avenue, East Aurora, New York 14052.

Hearing-impaired consumers using TTY/TDD equipment,
please call 1-800-382-7470.

In Mexico: 59-05-51-00 Ext. 5206 or 01-800-46359-89
In Brazil: 0800 550780

CANADA

Mattel Canada Inc., 6155 Freemont Blvd., Mississauga, Ontario L5R 3W2.

Fisher-Price, Inc., a subsidiary of Mattel, Inc., East Aurora, New York 14052, U.S.A.
©2010 Mattel, Inc. All Rights Reserved. ® and ™ designate U.S. trademarks of Mattel, Inc.